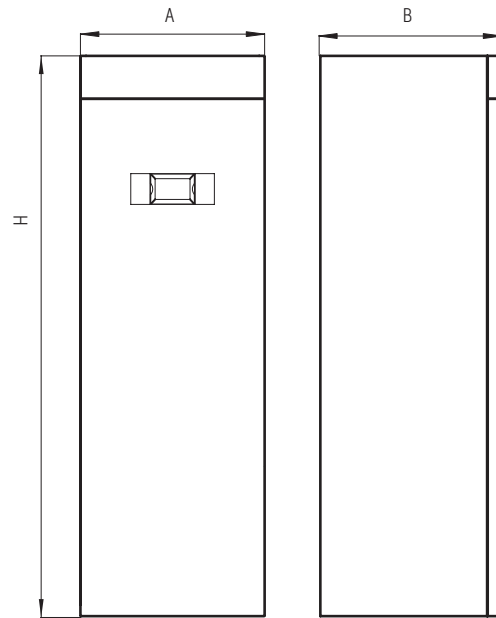
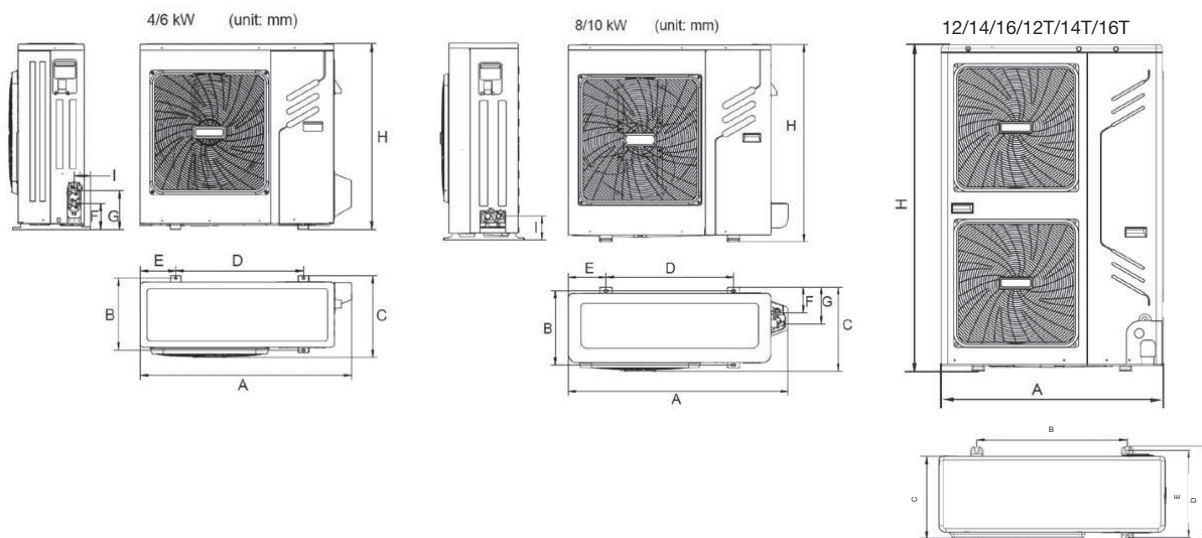


## SHERPA AQUADUE TOWER S2 - UNITÀ INTERNA



|                   |    | 4     | 6    | 8    | 10   | 12   | 14   | 16   | 12T  | 14T  | 16T  |
|-------------------|----|-------|------|------|------|------|------|------|------|------|------|
|                   |    | SMALL |      |      |      | BIG  |      |      | BIG  |      |      |
| <b>A</b>          | mm | 600   | 600  | 600  | 600  | 600  | 600  | 600  | 600  | 600  | 600  |
| <b>B</b>          | mm | 600   | 600  | 600  | 600  | 600  | 600  | 600  | 600  | 600  | 600  |
| <b>H</b>          | mm | 1980  | 1980 | 1980 | 1980 | 1980 | 1980 | 1980 | 1980 | 1980 | 1980 |
| <b>Peso netto</b> | kg | 171   | 171  | 171  | 171  | 173  | 173  | 173  | 173  | 173  | 173  |

## SHERPA AQUADUE S2 / SHERPA AQUADUE TOWER S2 / SHERPA S2 / SHERPA TOWER S2 - UNITÀ ESTERNA



|                   |    | 4           | 6   | 8    | 10   | 12        | 14   | 16   | 12T       | 14T  | 16T  |
|-------------------|----|-------------|-----|------|------|-----------|------|------|-----------|------|------|
|                   |    | MONOVENTOLA |     |      |      | BIVENTOLA |      |      | BIVENTOLA |      |      |
| <b>A</b>          | mm | 974         | 974 | 1075 | 1075 | 900       | 900  | 900  | 900       | 900  | 900  |
| <b>B</b>          | mm | 333         | 333 | 363  | 363  | 600       | 600  | 600  | 600       | 600  | 600  |
| <b>C</b>          | mm | 378         | 378 | 411  | 411  | 348       | 348  | 348  | 348       | 348  | 348  |
| <b>D</b>          | mm | 590         | 590 | 625  | 625  | 400       | 400  | 400  | 400       | 400  | 400  |
| <b>E</b>          | mm | 164         | 164 | 184  | 184  | 360       | 360  | 360  | 360       | 360  | 360  |
| <b>F</b>          | mm | 119         | 119 | 126  | 126  | -         | -    | -    | -         | -    | -    |
| <b>G</b>          | mm | 179         | 179 | 179  | 179  | -         | -    | -    | -         | -    | -    |
| <b>H</b>          | mm | 857         | 857 | 965  | 965  | 1327      | 1327 | 1327 | 1327      | 1327 | 1327 |
| <b>I</b>          | mm | 75          | 75  | 117  | 117  | -         | -    | -    | -         | -    | -    |
| <b>Peso netto</b> | kg | 57          | 57  | 67   | 67   | 99        | 99   | 99   | 115       | 115  | 115  |