


MULTISPLIT

Indoor Units Aryal S1 E Multisplit


	INDOOR UNITS	
	OS-SEAPH10EI	IU ARYAL S1 E INVERTER 10
	OS-SEAPH12EI	IU ARYAL S1 E INVERTER 12
	OS-SECYH09EI	IU ALYAS E INVERTER 9
	OS-SECYH12EI	IU ALYAS E INVERTER 12

Sezione del cavo di interconnessione tra Unità Esterna e
Unità Interna: 4 x 1 mm²

*Interconnecting cable section between Outdoor Unit and Indoor
Unit: 4 x 1 mm²*

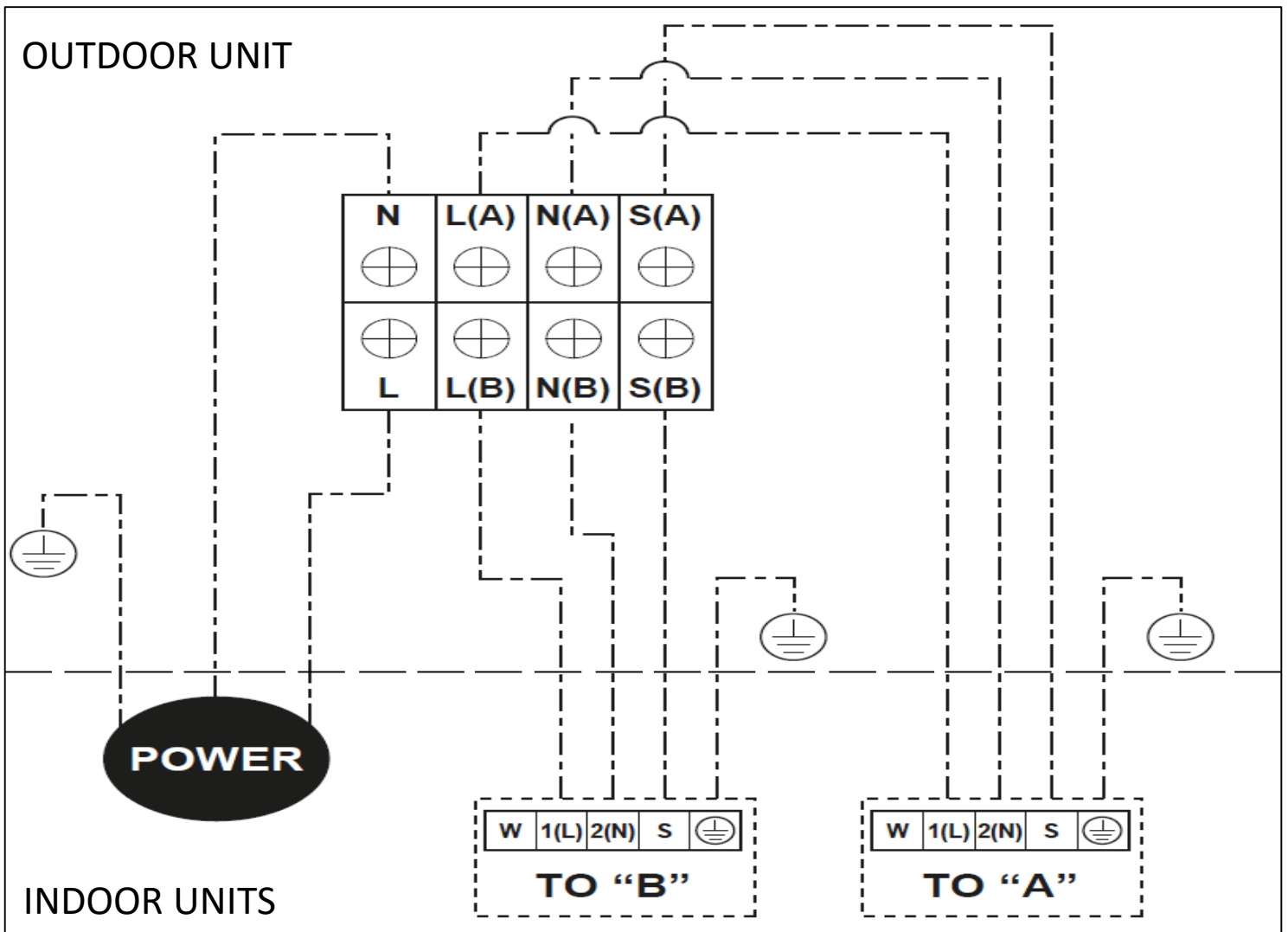
MULTISPLIT

Outdoor Units Aryal S1 E Dual Inverter 14-18

	OUTDOOR UNITS	
	OS-CEAIH14EI	OU ARYAL S1 E DUAL INVERTER 14
	OS-CEAIH18EI	OU ARYAL S1 E DUAL INVERTER 18


Sezione del cavo di alimentazione
Power supply cable section

Outdoor Unit Model	Number of power supply cable poles	Minimum section of the electric power supply cable	Recommended fuse
DUAL 1 x 2	3	1.5 mm ²	12 A



MULTISPLIT

Outdoor Units Aryal S1 E Trial Inverter 21

	OUTDOOR UNITS	
	OS-CEAIH21EI	OU ARYAL S1 E TRIAL INVERTER 21

Sezione del cavo di alimentazione
Power supply cable section

Outdoor Unit Model	Number of power supply cable poles	Minimum section of the electric power supply cable	Recommended fuse
TRIAL 1 x 3	3	1.5 mm ²	15 A

